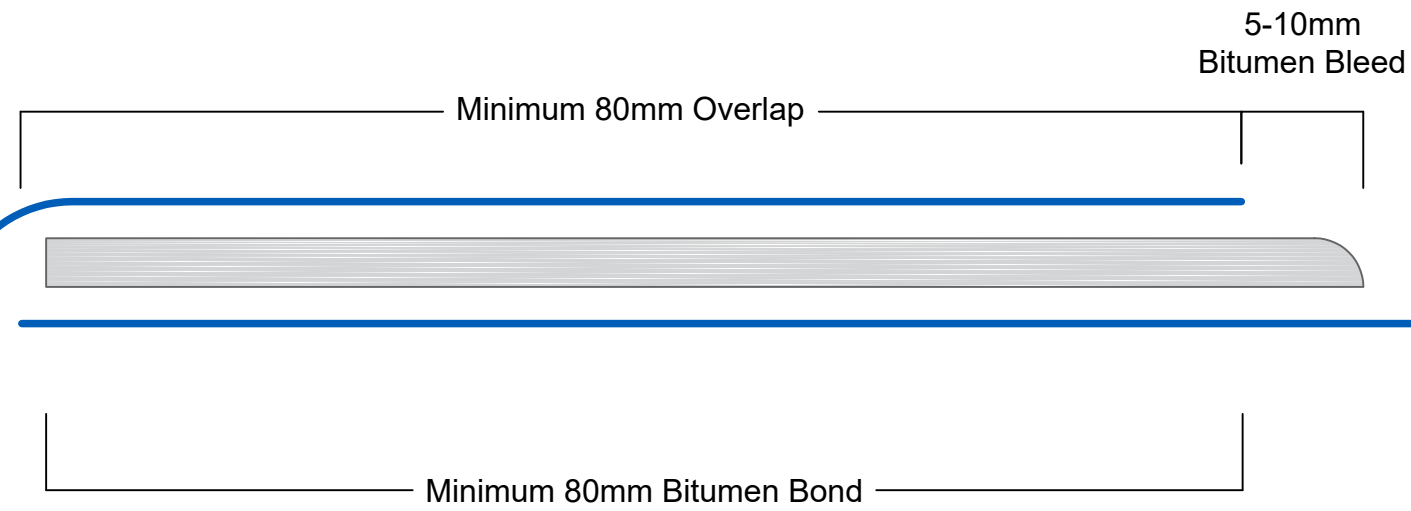
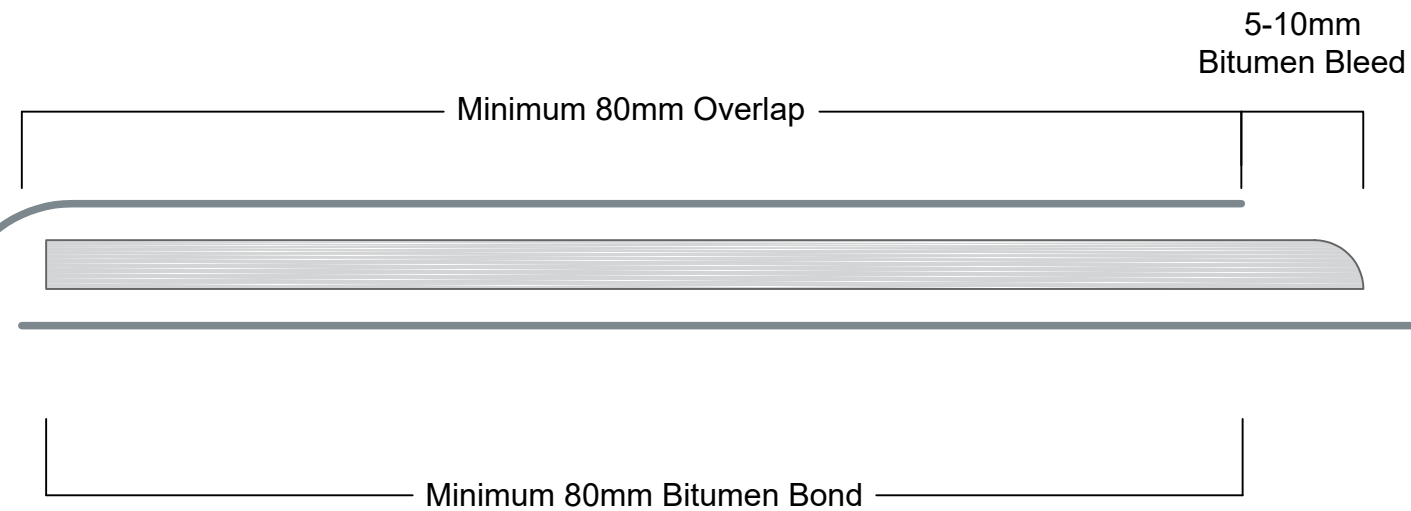


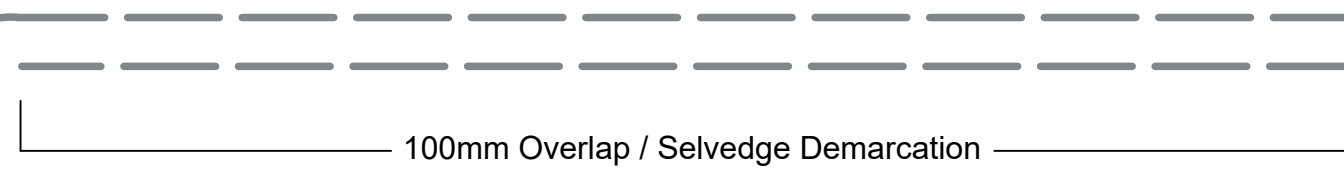
DANOSA Capsheet Side Overlaps



DANOSA Underlay Side Overlaps



GLASDAN 800 PERFORADO



Drawing Number: DUK-B-(G)-101	Revision: 01
Date Drawn: May 2018	Author: MH

Drawing Title:
Capsheet, Underlay and GLASDAN 800 PERFORADO Side Overlaps
Bituminous Membranes

